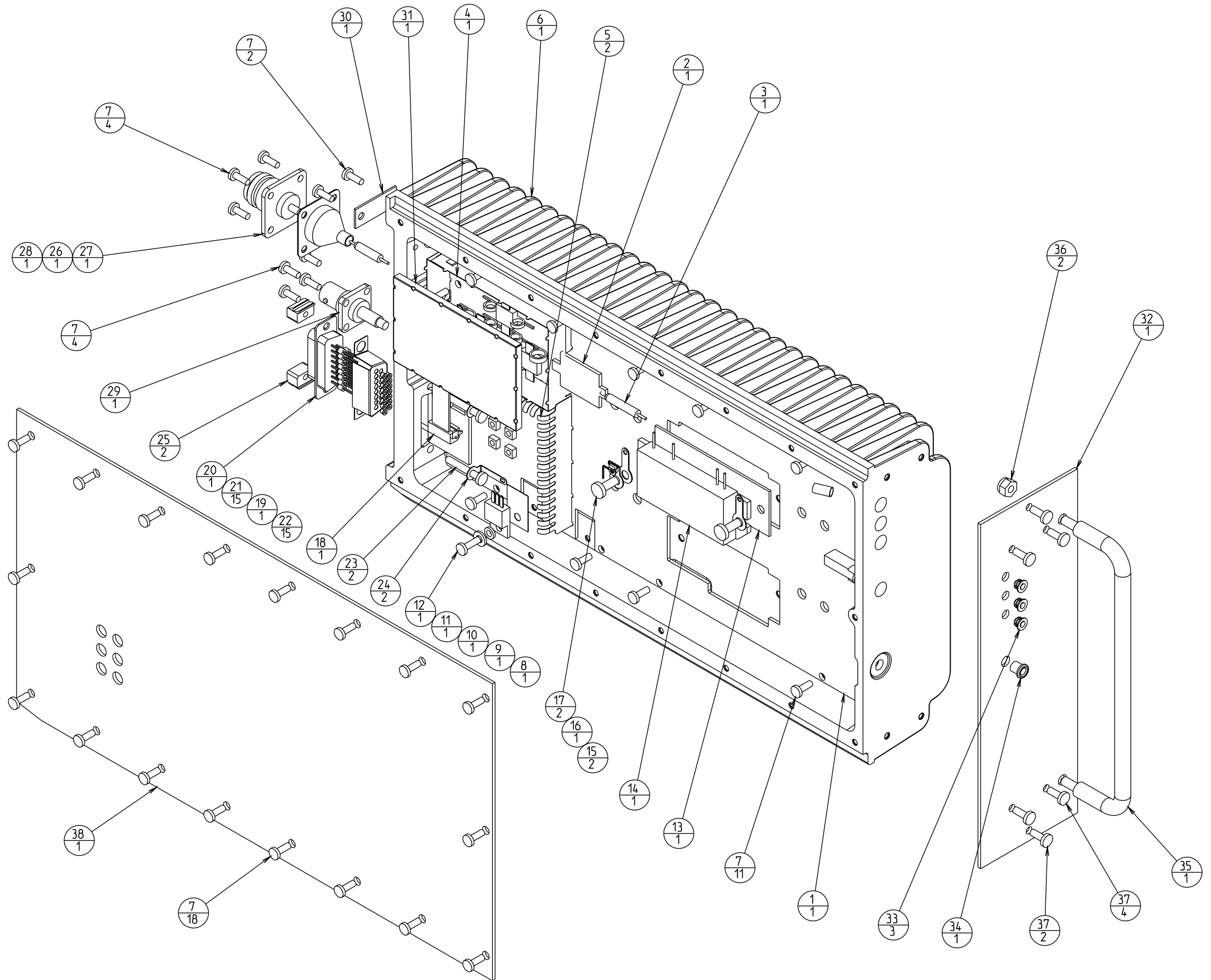


Key

The upper number is the component identification number which appears in the "Legend" column of the Mechanical & Miscellaneous Parts on the facing page.

33
2

The lower number indicates how many of this component are used in this location or function.



T838 Mechanical Assembly
220-01404-03

